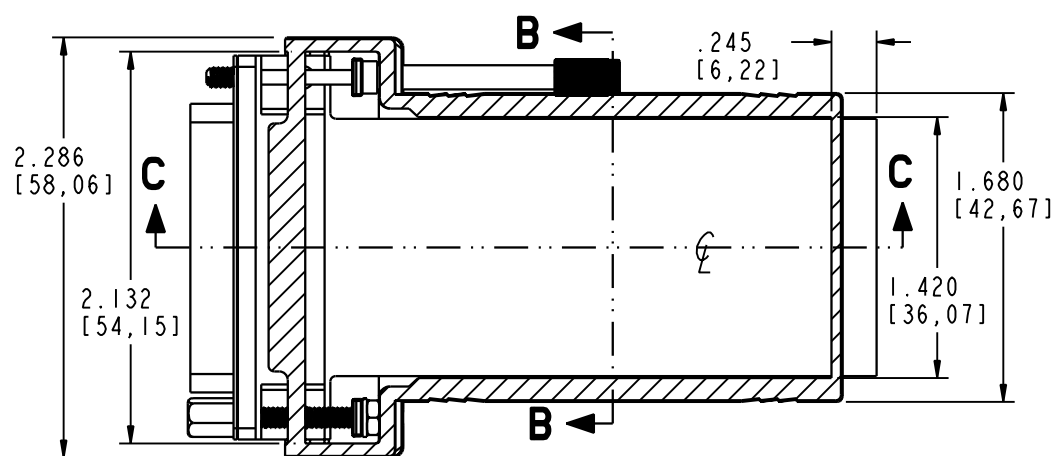
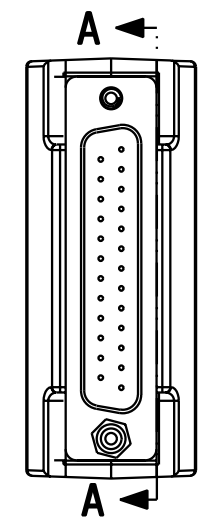
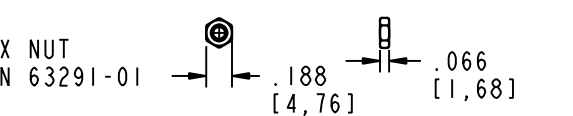
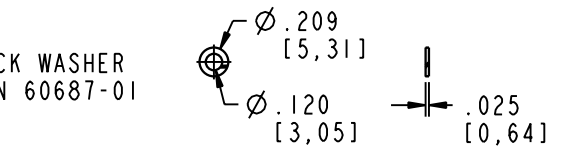
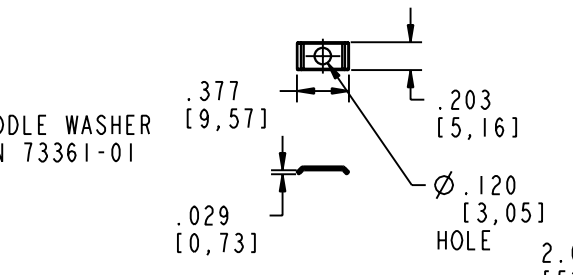
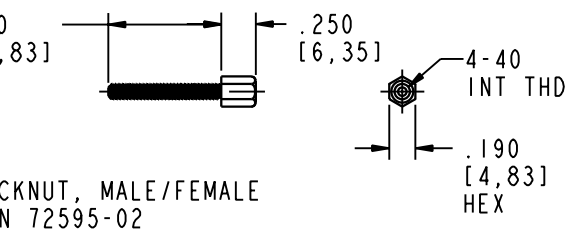
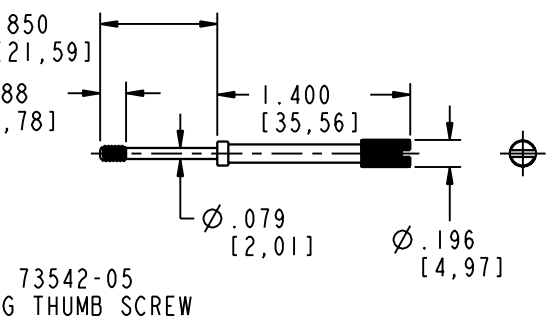
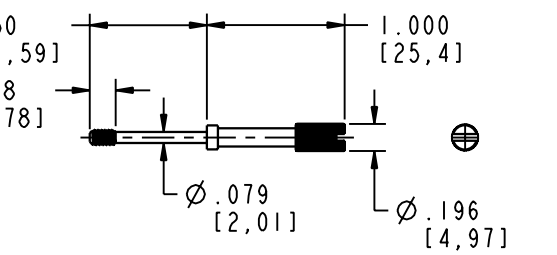
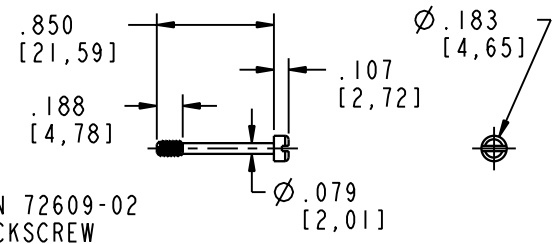
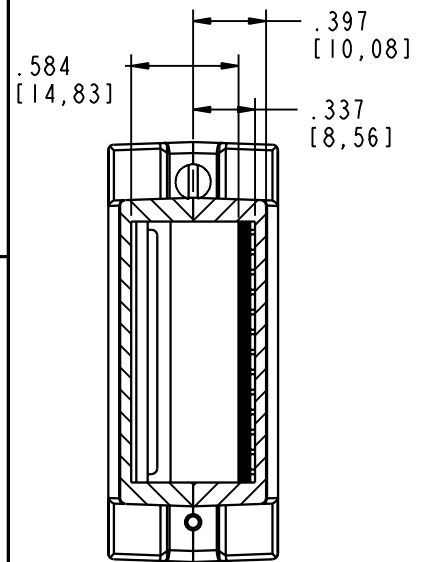


**TABLE 2**

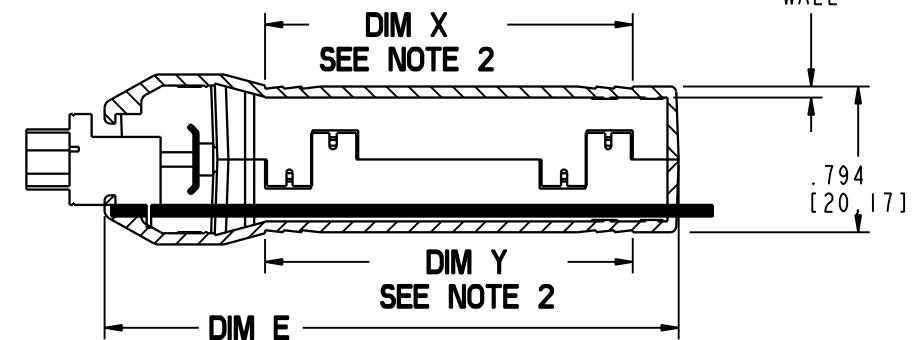
ALL HARDWARE IS 4-40, ALL SCREWS AND THUMB SCREWS ARE CAPTIVE. THE JACK NUT IS NOT CAPTIVE AND THIS ITEM CAN BE THREADED INTO THE HOUSING, OR THE HOLE CAN BE ENLARGED.



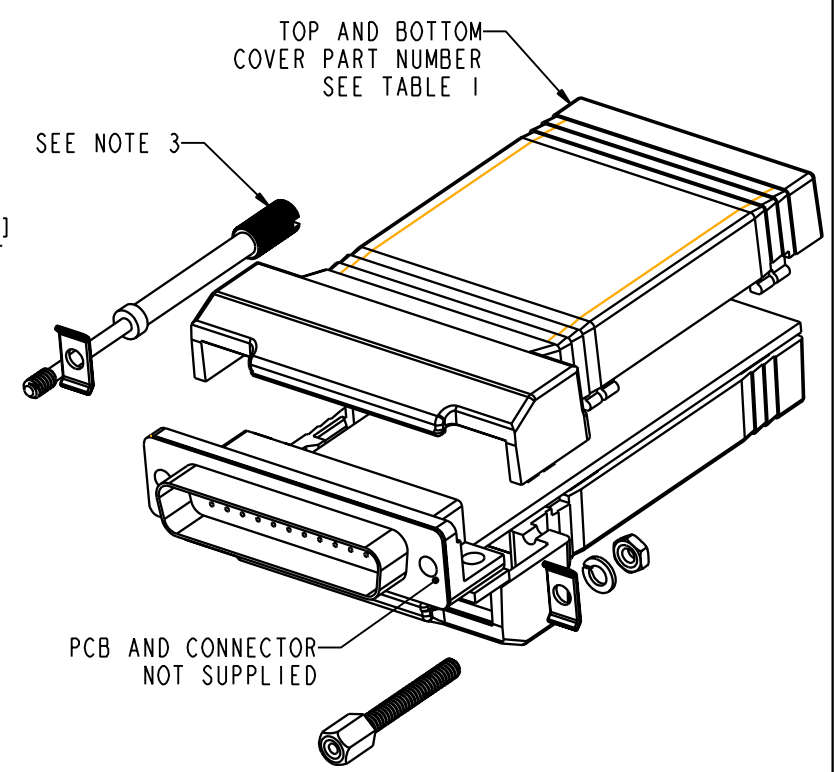
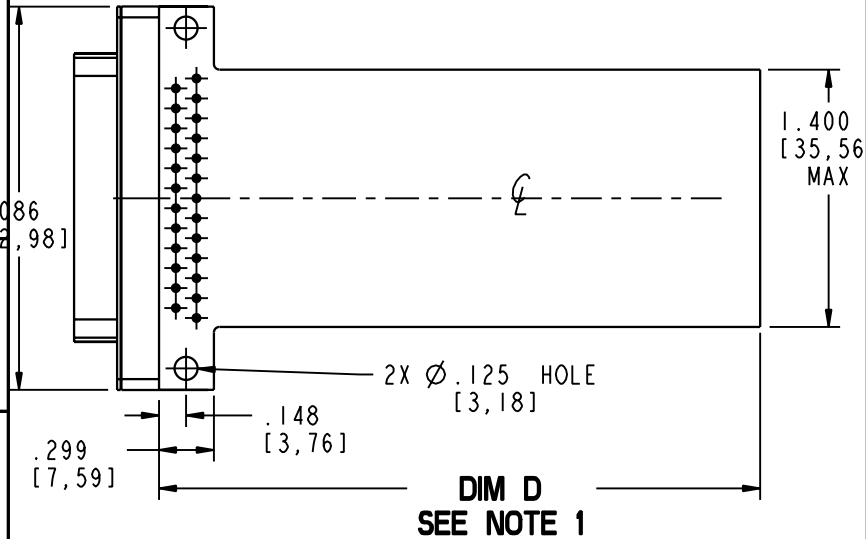
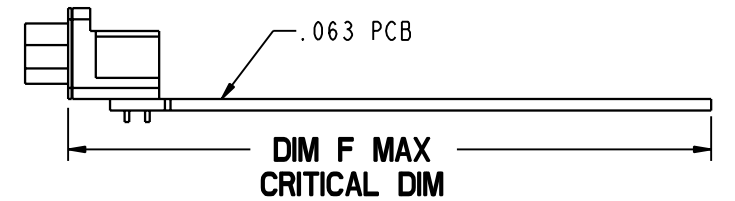
**SECTION A-A**



**SECTION B-B**



**SECTION C-C**



**NOTES:**

1. ACTUAL PCB LENGTH IS A PRODUCT OF THE CONNECTOR SELECTED.
2. DIM X AND Y ARE TOP AND BOTTOM COVER INSERT AREA X 1.450 [36,83] WIDE.
3. HARDWARE TO BE ORDERED SEPARATE FROM TABLE 2 PER CUSTOMER SPECIFIC REQUIREMENTS.

**TABLE 1**

CN SIZE	S	M	L
HOUSING PART NUMBER	CNS-0006	CNM-0006	CNL-0006
DIM D PCB SIZE	2.272 [57,71]	2.772 [70,14]	3.272 [83,11]
DIM E OVERALL SIZE	2.624 [66,65]	3.124 [79,35]	3.624 [92,05]
DIM F MAX CRITICAL DIM	2.499 [63,47]	2.999 [76,17]	3.499 [88,87]
DIM X & Y INSERT AREA	1.500 [38,10]	2.000 [50,80]	2.500 [63,50]

DB25 R ANGLE CONNECTOR TO BLANK END

**PACINTEC**<sup>®</sup>  
1-610-361-4231

**CN-0006-SERIES**

SEE TABLE 1

VISIT **PACINTEC**<sup>®</sup>  
ON THE WORLD WIDE WEB  
[www.pactecenclosures.com](http://www.pactecenclosures.com)

COLOR / MATERIAL CODE		
COLOR	94HB	94VO
BLACK	000	028
P. C. BONE	039	060