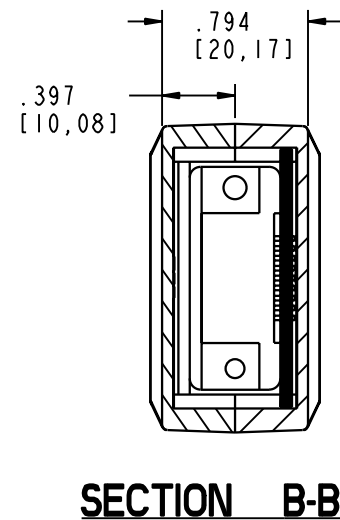
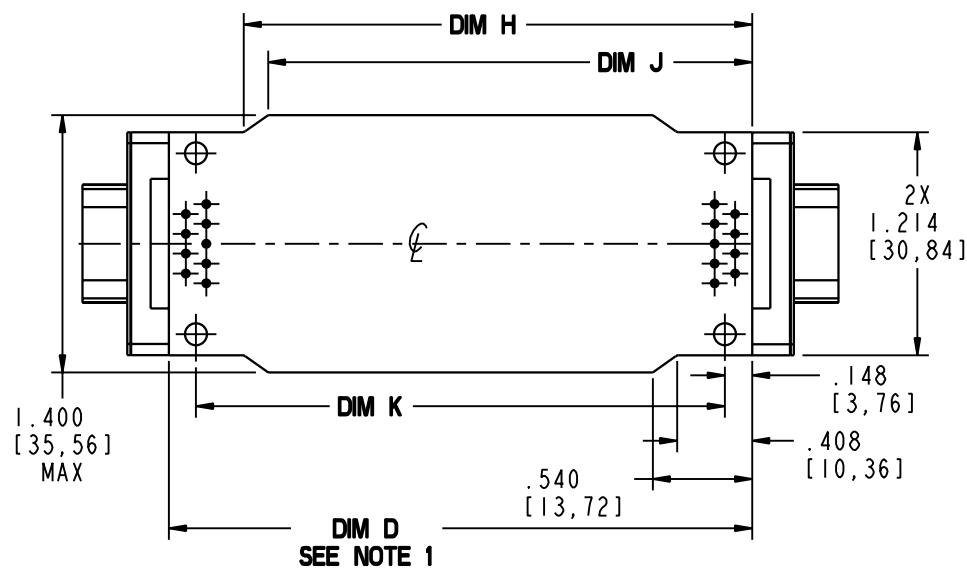
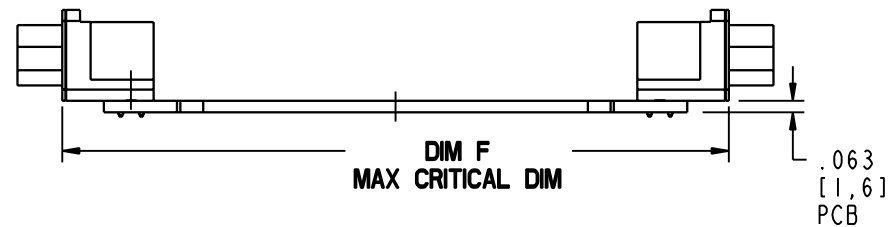
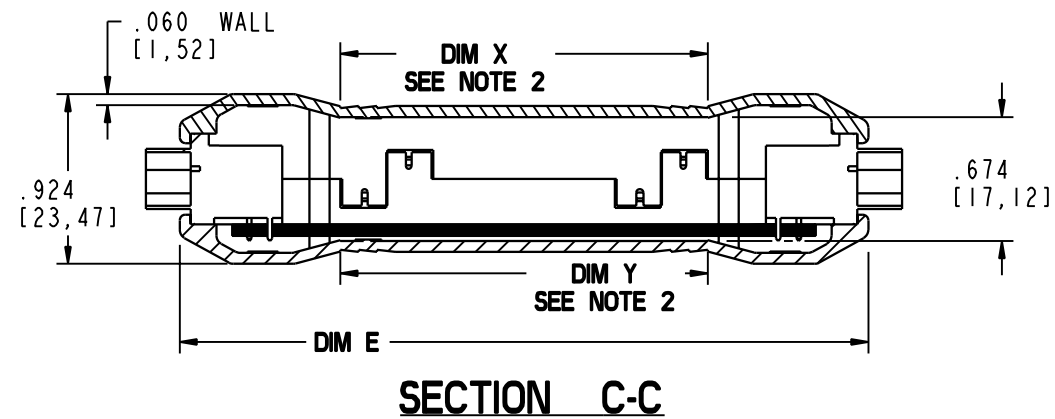
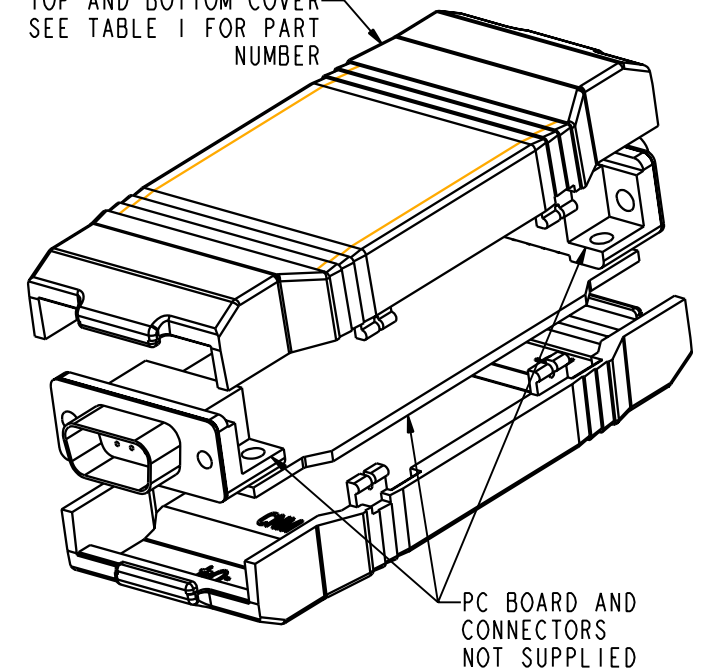


TOP AND BOTTOM COVER  
SEE TABLE 1 FOR PART NUMBER



NOTES:

- ACTUAL PCB LENGTH IS A PRODUCT OF THE CONNECTORS SELECTED.
- DIM X & Y ARE TOP AND BOTTOM COVER INSERT AREA X 1.450 [36,83] WIDE.

TABLE 1

CN SIZE	S	M	L
HOUSING PART NUMBERS	CNS-0404	CNM-0404	CNL-0404
DIM D PCB SIZE	2.674 [67,92]	3.174 [80,62]	3.674 [93,32]
DIM E OVERALL SIZE	3.284 [82,50]	3.748 [95,20]	4.248 [107,90]
DIM F MAX CRITICAL DIM	3.128 [79,45]	3.628 [92,15]	4.128 [104,85]
DIM H	2.266 [57,56]	2.766 [70,26]	3.266 [82,96]
DIM J	2.134 [54,2]	2.634 [66,9]	3.134 [79,6]
DIM K	2.378 [60,40]	2.878 [73,10]	3.378 [85,80]
DIM X & Y INSERT AREA	1.500 [38,10]	2.000 [50,80]	2.500 [63,50]

DB9 R ANGLE CONNECTOR OR DB15HD  
R ANGLE CONNECTOR TO DB9 OR DB15HD  
R ANGLE CONNECTOR.

**PACINTEC**<sup>®</sup>  
1-610-361-4200  
**CN-0404**  
SEE TABLE 1

COLOR / MATERIAL CODE		
COLOR	94HB	94VO
BLACK	000	028
P. C. BONE	039	060

VISIT **PACINTEC**<sup>®</sup>  
ON THE WORLD WIDE WEB  
[www.pactecenclosures.com](http://www.pactecenclosures.com)

DRAWING NUMBER	REV
84450	A