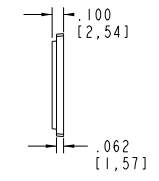
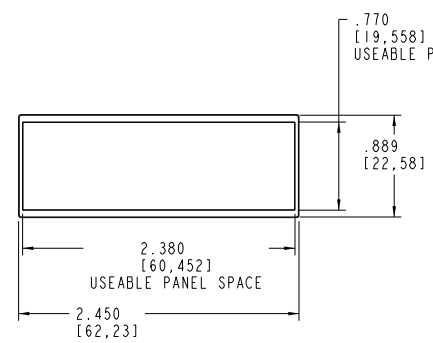
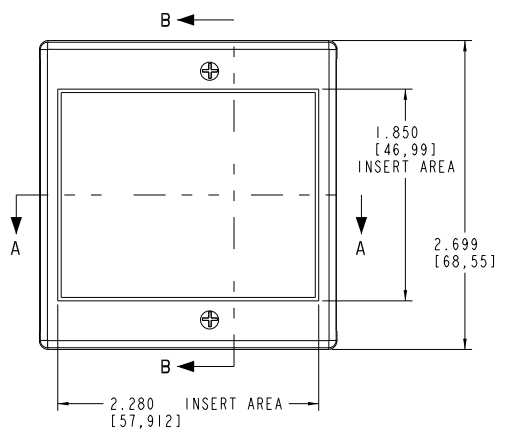


ASSEMBLY SCREWS
P/N 60228-02
#2 THD FORM G X .68LG

SECTION A-A

SECTION B-B

DETAIL C
SCALE 4.000



PACINTEC®
1-610-361-4200

JM25

VISIT **PACINTEC®**
ON THE WORLD WIDE WEB
www.pactecenclosures.com

COLOR / MATERIAL CODE		
COLOR	94HB	94VO
BLACK	000	028
P.C.BONE	039	060

DRAWING NUMBER	REV
77779	B