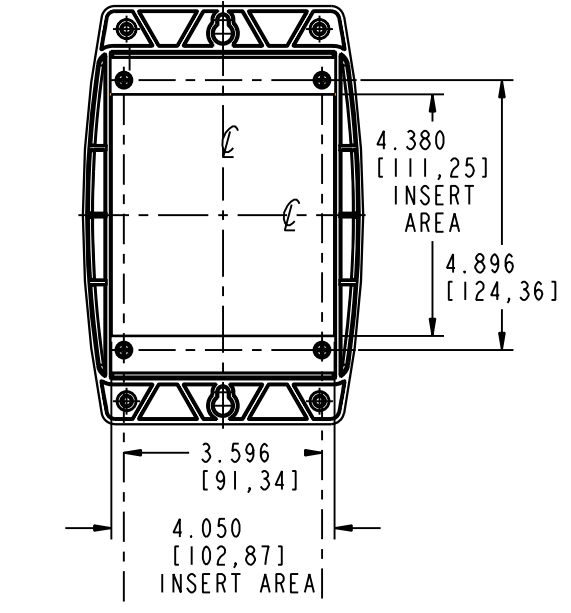


NOTES:  
 1. USE #4 TYPE "B" THREAD FORMING SCREWS X .25 [6.3] OR .31 [7.9] LONG TO MOUNT CIRCUIT CARD ASSEMBLY.



SECTION D-D

MAX PCB SIZE.  
 .063 THICK  
 TOP COVER

MAX PCB SIZE.  
 .063 THICK  
 BOTTOM COVER

SCALE: .6

**PACINTEC**<sup>®</sup>  
 1-610-361-4231

**NEW OD56-2.5**

VISIT **PACINTEC**<sup>®</sup>  
 ON THE WORLD WIDE WEB  
[www.pactecenclosures.com](http://www.pactecenclosures.com)

MATERIAL:  
 POLYCARBONATE (HB)  
 WITH UV STABILIZER

COLOR:  
 LIGHT GRAY #332

INSERTS ARE SECTIONS IN OUR TOOLS THAT CAN BE REMOVED AND REPLACED WITH CUSTOMER SPECIFIC DETAILS

DRAWING NUMBER	REV
85794	C