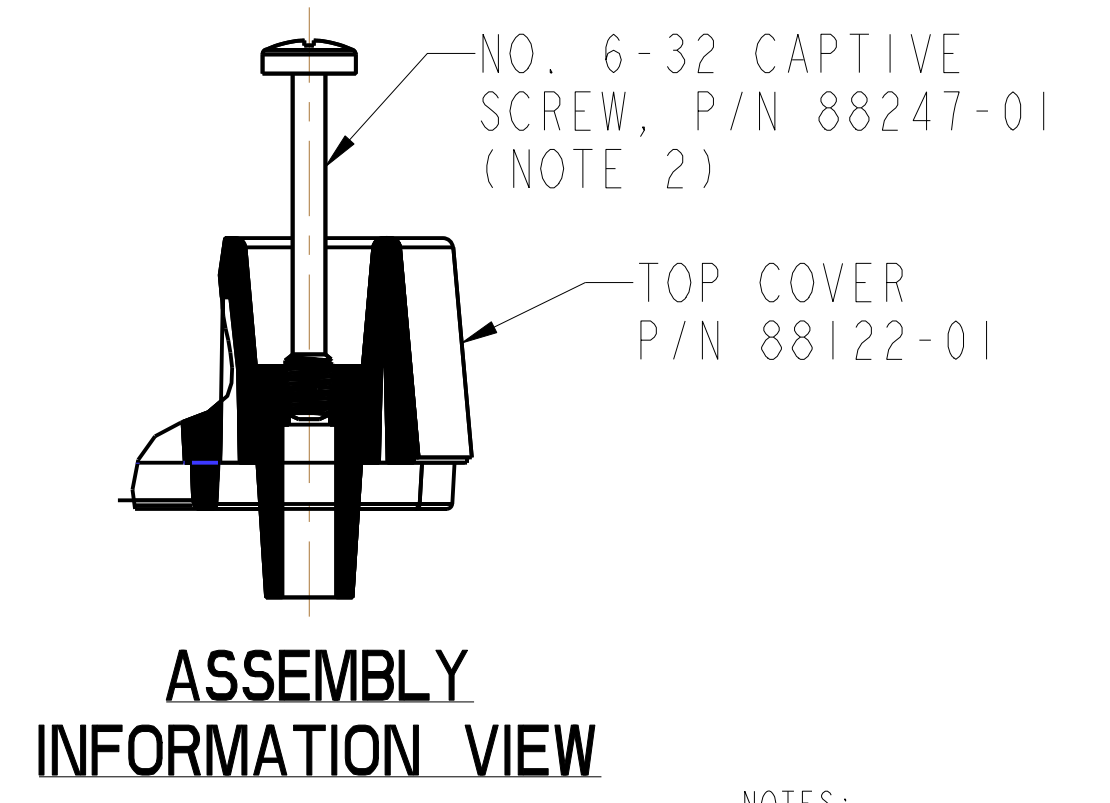
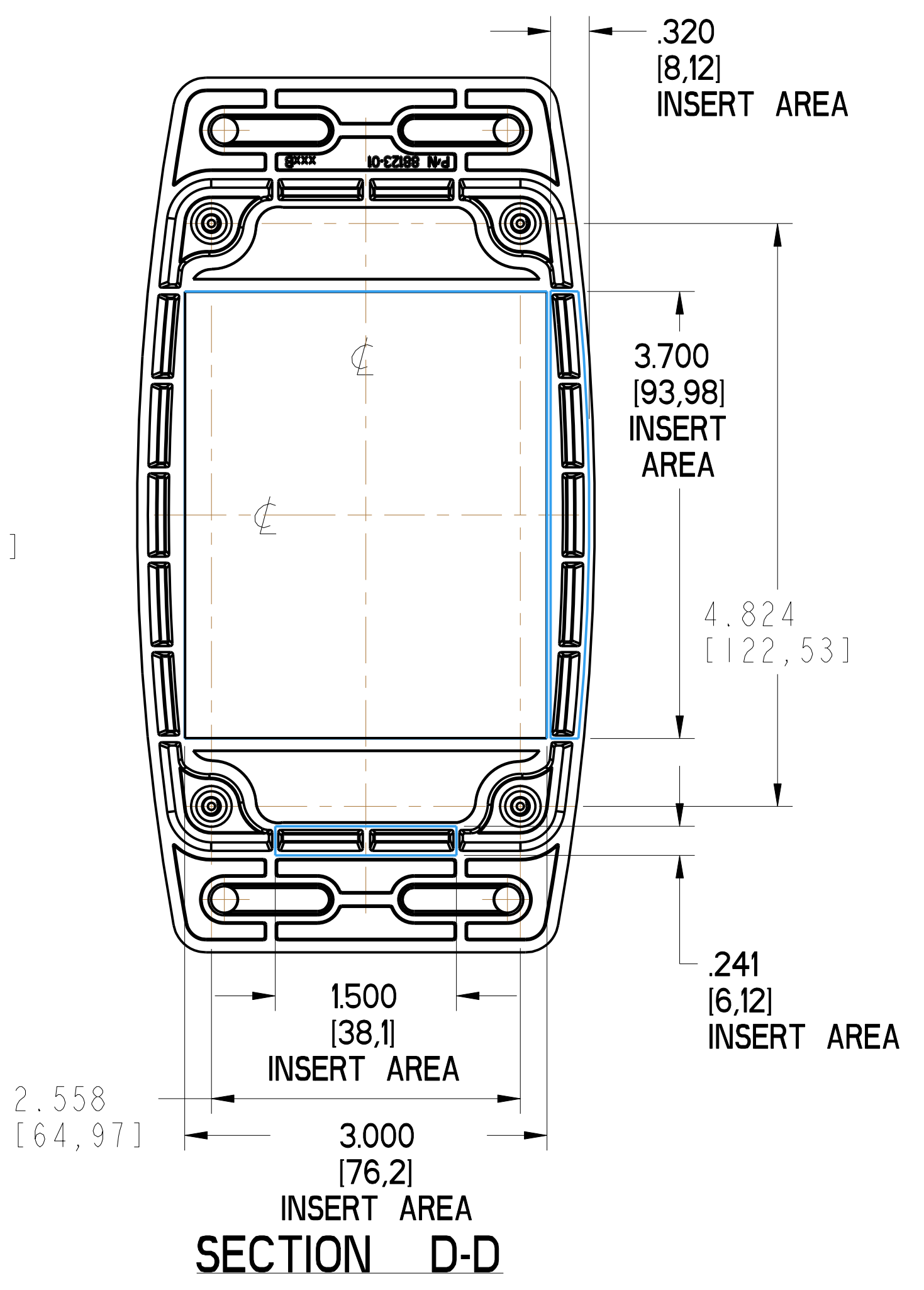
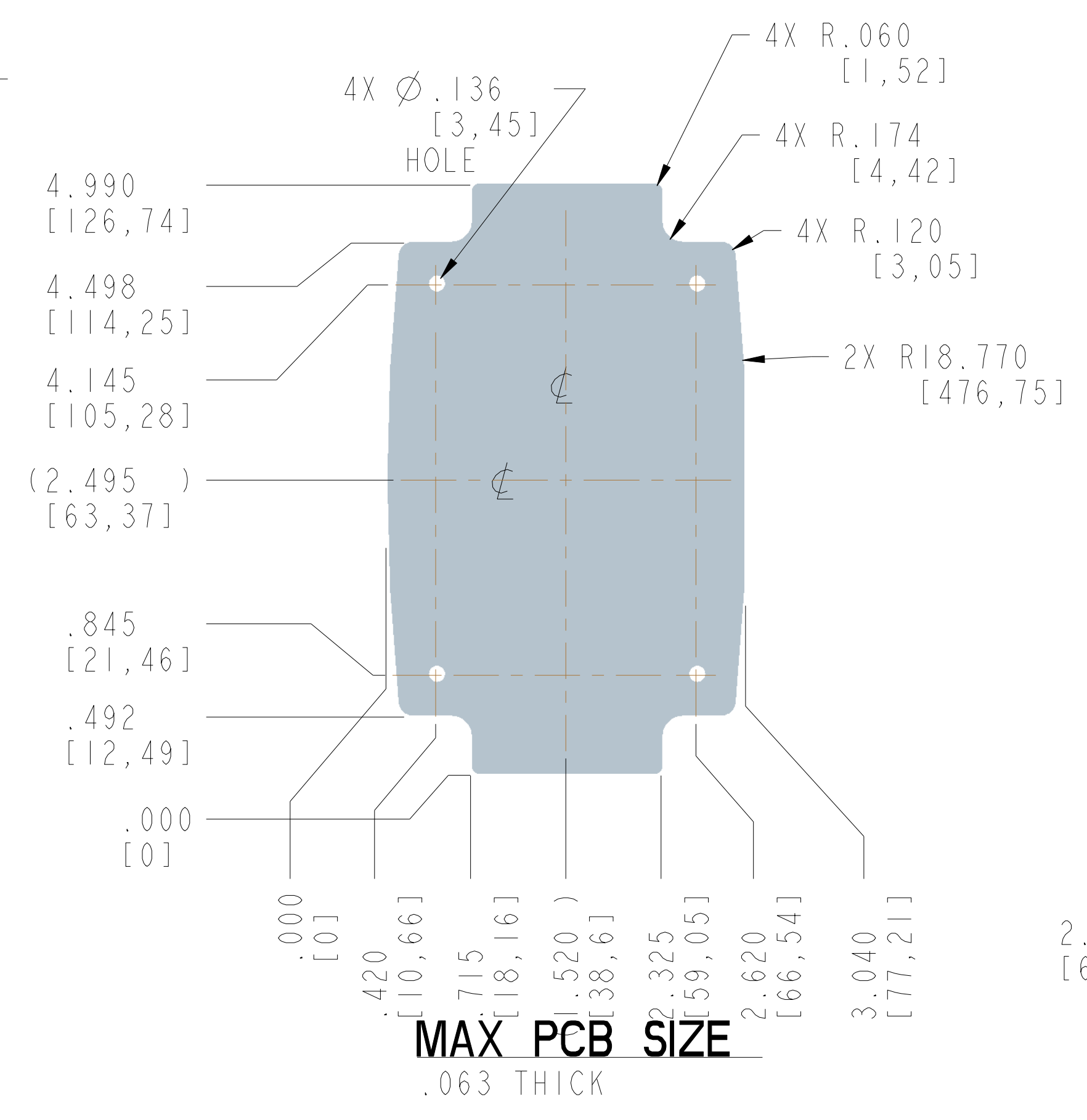
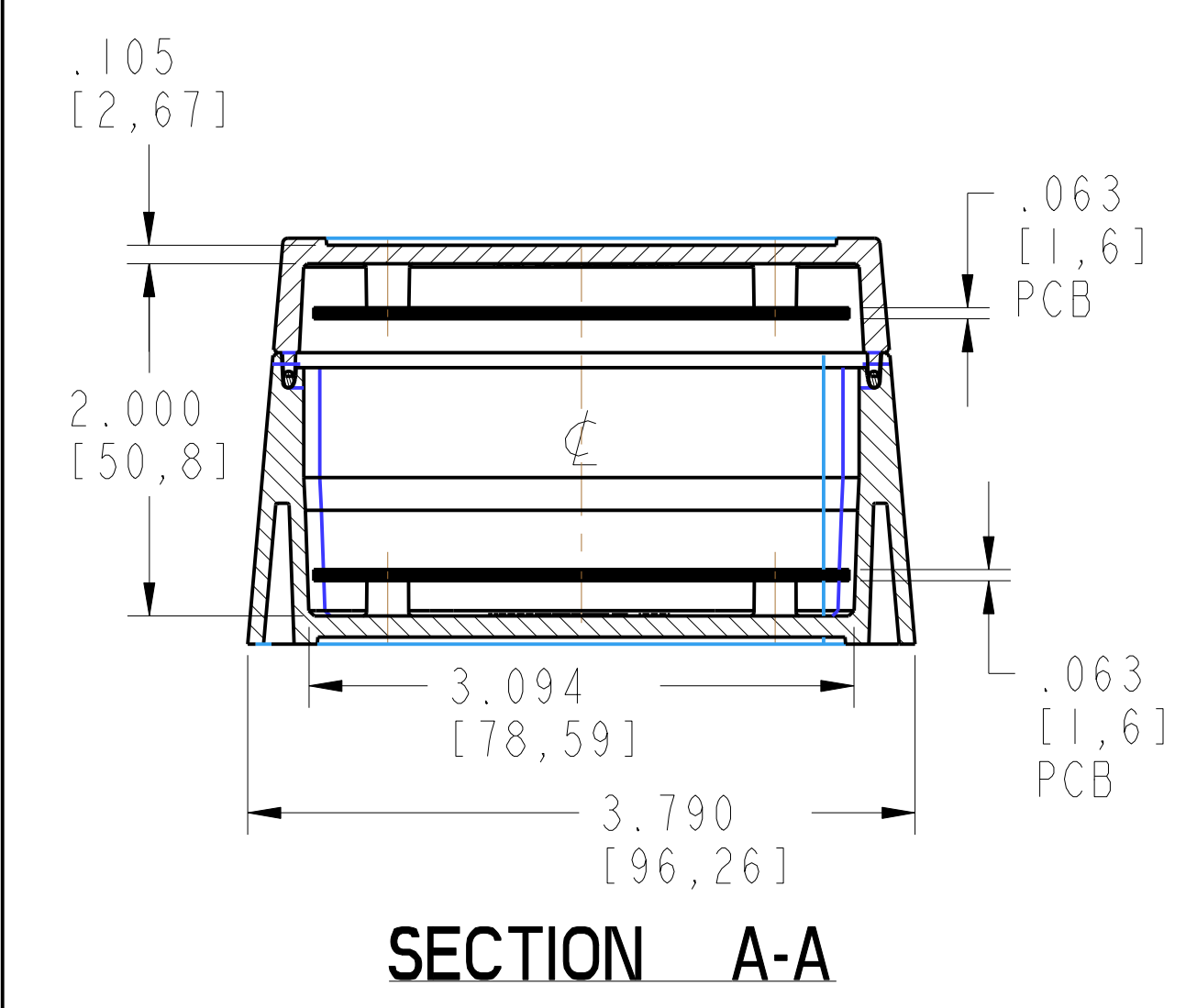


SECTION C-C



- NOTES:
1. USE #4 TYPE "B" THREAD FORMING SCREWS X .25" [6.3] LONG TO MOUNT CIRCUIT CARD ASSEMBLY.
  2. ASSEMBLY SCREW NEEDS TO BE THREADED THRU THE TOP COVER FOR INITIAL USE OF THE ENCLOSURE.
  2. RECOMMENED ASSEMBLY SCREW TORQUE SETTING IS 5 INCH-POUNDS.
  4. TO MAINTAIN IP67 RATING USE THE GASKET ONCE; IF OPENING UNIT TO SERVICE MUST REPLACE GASKET.



**PACINTEC**<sup>®</sup>  
1-610-361-4231

**ODTM45-2.0**

VISIT **PACINTEC**<sup>®</sup>  
ON THE WORLD WIDE WEB  
[www.pactecenclosures.com](http://www.pactecenclosures.com)

SCALE: .9

MATERIAL:  
POLYCARBONATE (HB)  
WITH UV STABILIZER

COLOR:  
LIGHT GRAY #332

INSERT AREAS ARE SECTIONS IN OUR TOOLS THAT CAN BE REMOVED AND REPLACED WITH CUSTOMER SPECIFIC DETAILS

DRAWING NUMBER	REV
88124	B