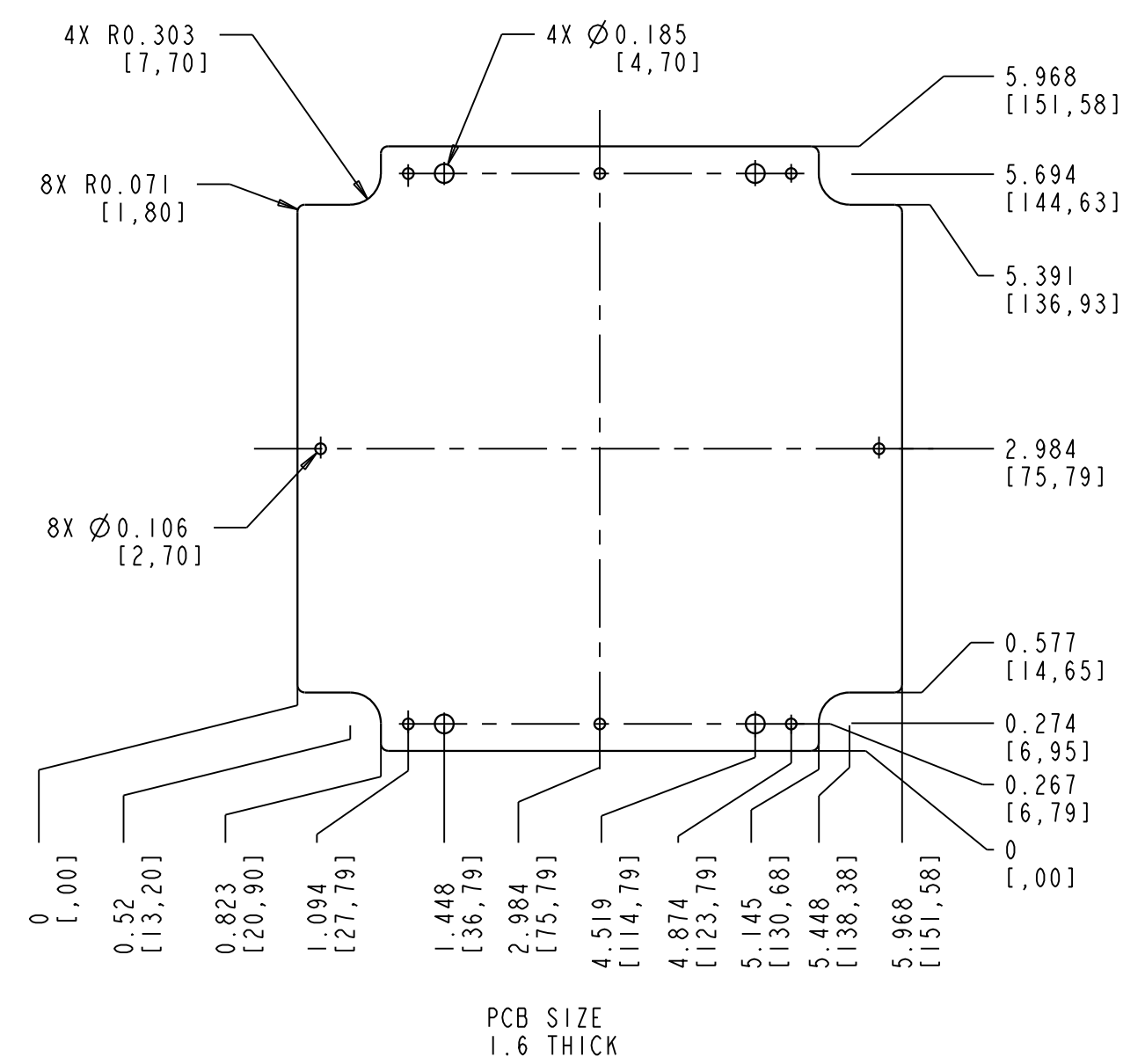
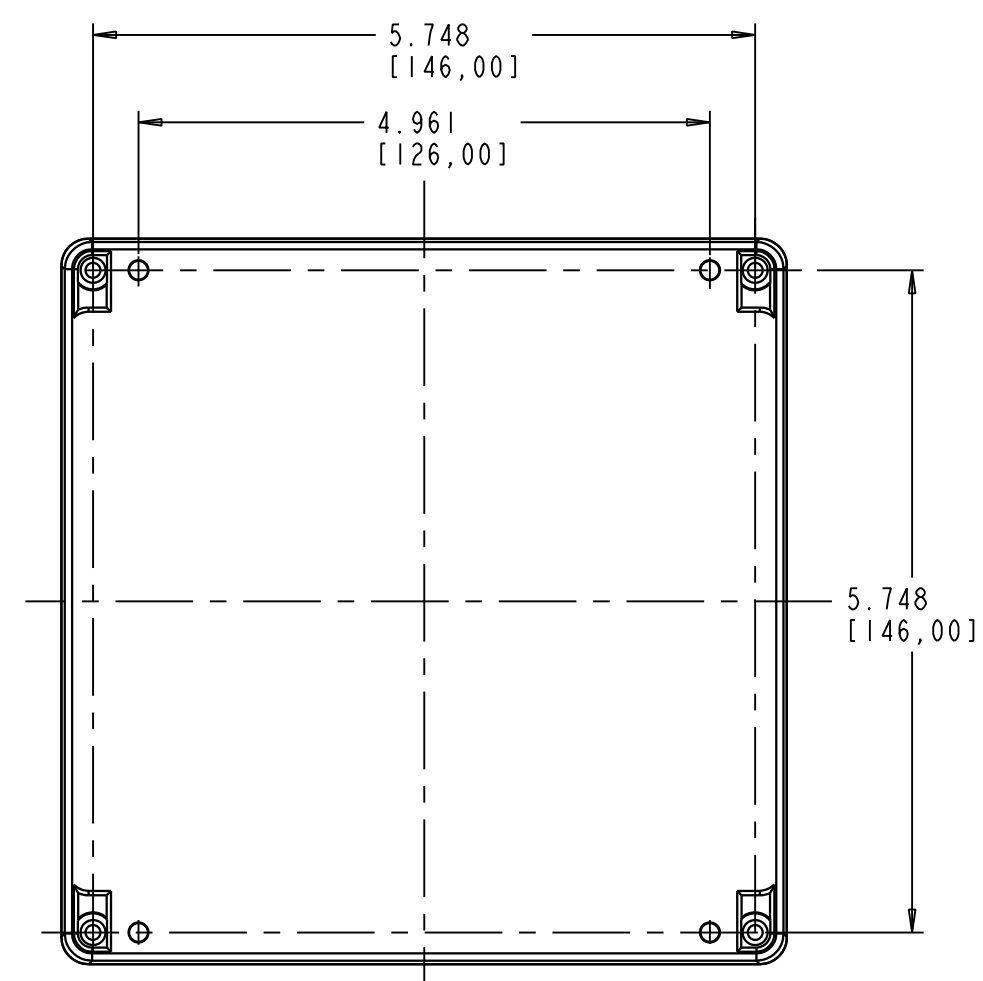


COLOR	CODE #	PMS #	RAL #
ABS	1129	WARM GRAY #2	1013



NOTES:

1. USE 3M X 6 (OR #4 X .250") SELF THREADING SCREWS TO MOUNT THE PCB TO HOUSING
2. RECOMMENDED HOUSING ASSEMBLY SCREW TORQUE SETTING TO OBTAIN IP65 RATING IS 5 IN-LBS
3. TO MAINTAIN IP65 RATING THE GASKET CAN ONLY BE USED ONCE; MUST BE REPLACED IF HOUSING IS OPENED.

PACNTEC®
1-610-361-4286

SOD 6262-3.5

VISIT **PACNTEC®**
ON THE WORLD WIDE WEB
www.pactecenclosures.com