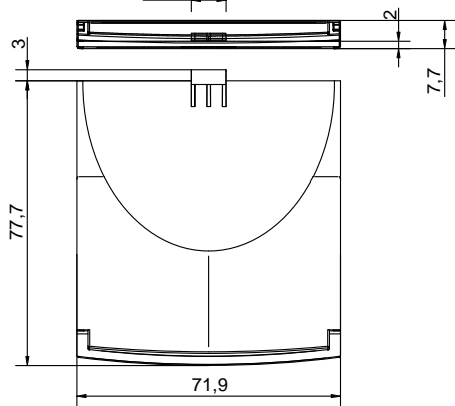
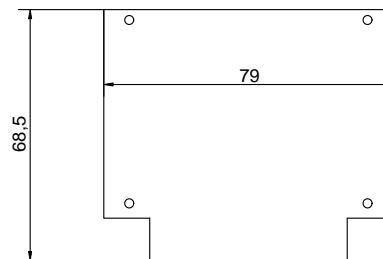


MAXIMUM PCB SIZE



BEDEK	Denomination	Assembly TN21-B2		Part. Number	TN21-B2
	Subject to technical modification without prior notice. Tipographical and other errors do not justify any claim for damages. All dimensions should be verified using an actual moulded part.				
	This document contains proprietary information of Beдек and is tendered subject to the conditions that the information be retained in confidence not be reproduced or copied and not be used or incorporated in any product.			Rev. Index	Scale
				Date	1:1
				27/04/2007	Format design A2